



**PETER  
PAUL**

electronics co.,inc.

## 大口径 电磁阀

适用于化学、石油化工、  
制药、食品、饮料  
和其他流体的工艺行业



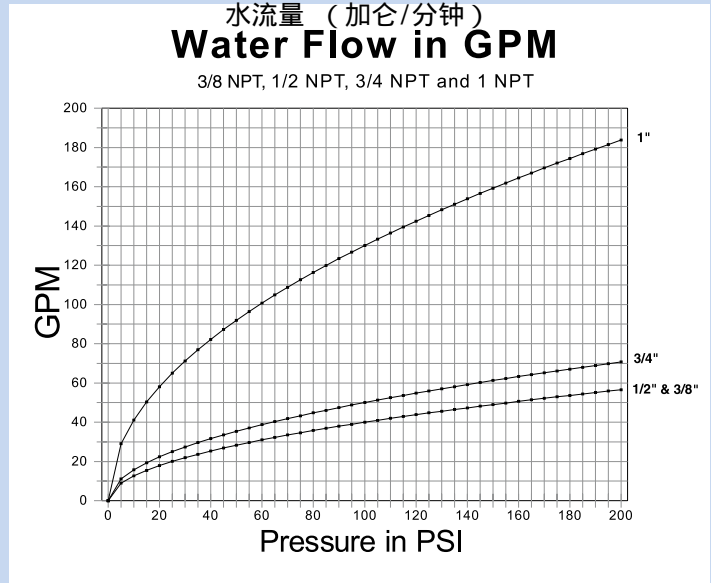
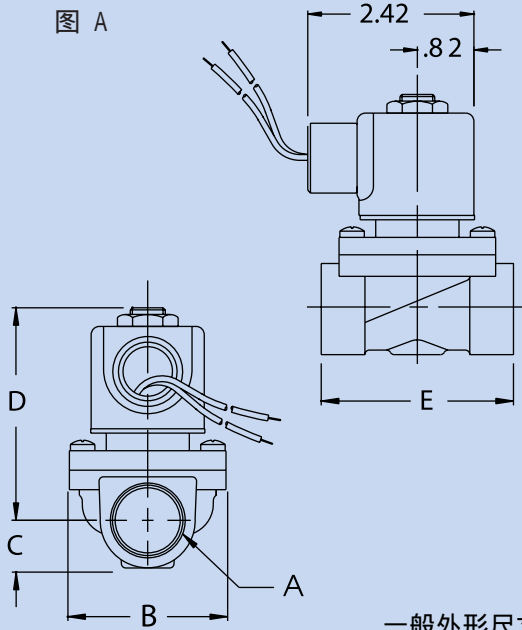
*Excellence by Control*  
卓越的控制

# Series 80 您的过程大流量电磁阀



彼得·保罗准确提供一系列大口径电磁阀，以满足工业过程高流速、快速转储和填充能力要求。这些交流或直流供电的电磁阀也适用于低、高压气体和液体的介质应用。端口尺寸范围从3/8"---3"“NPT”，压力范围从0--200psi，80系列产品拥有常闭、常开\防爆型版本可供选择。

图 A



一般外形尺寸

A	B	C	D	E
3/8"	2.01 (51.1)	.61 (15.5)	3.02 (76.7)	2.36 (59.9)
1/2"	2.01 (51.1)	.61 (15.5)	3.02 (76.7)	2.36 (59.9)
3/4"	2.28 (57.9)	.69 (17.5)	3.10 (78.7)	2.83 (71.9)

公制 (括号内)

阀门类型	阀门型号	图位	孔口尺寸	管的规格	最大.操作压力		最小.操作 Pressure	CV系数
					AC	DC		
NC - Direct Lift	827T20DCV	A	0.50	3/8 NPT	100	40	0 PSI	4
NC - Direct Lift - Explosion Proof	E827T20DCCM	A	0.50	3/8 NPT	100	40	0 PSI	4
NC - Direct Lift	827B12DCV	A	0.50	1/2 NPT	100	40	0 PSI	4
NO - Internal Pilot	818B12DCV	A	0.50	1/2 NPT	150	150	3 PSI	4
NC - Internal Pilot	828B12DCV	A	0.50	1/2 NPT	200	200	3 PSI	4
NC - Direct Lift - Explosion Proof	E827B12DCCM	A	0.50	1/2 NPT	100	40	0 PSI	4
NC - Internal Pilot - Explosion Proof	E828B12DCCM	A	0.50	1/2 NPT	200	200	3 PSI	4
NC - Direct Lift	827Y19DCV	A	0.75	3/4 NPT	100	30 (75)	0 PSI	5
NO - Internal Pilot	818Y19DCV	A	0.75	3/4 NPT	200	200	3 PSI	5.8
NC - Direct Lift - Explosion Proof	E827Y19DCCM	A	0.75	3/4 NPT	100	30	0 PSI	5
NC - Internal Pilot	828Y19DCV	B	0.75	3/4 NPT	200	200	3 PSI	5.8
NC - Internal Pilot - Explosion Proof	E828Y19DCCM	B	0.75	3/4 NPT	200	200	3 PSI	5.8
NO - Internal Pilot	818D13DCV	B	1	1 NPT	200	200	3 PSI	13
NC - Internal Pilot	828D13DCV	B	1	1 NPT	200	200	3 PSI	13

Model 827为隔膜阀结构。



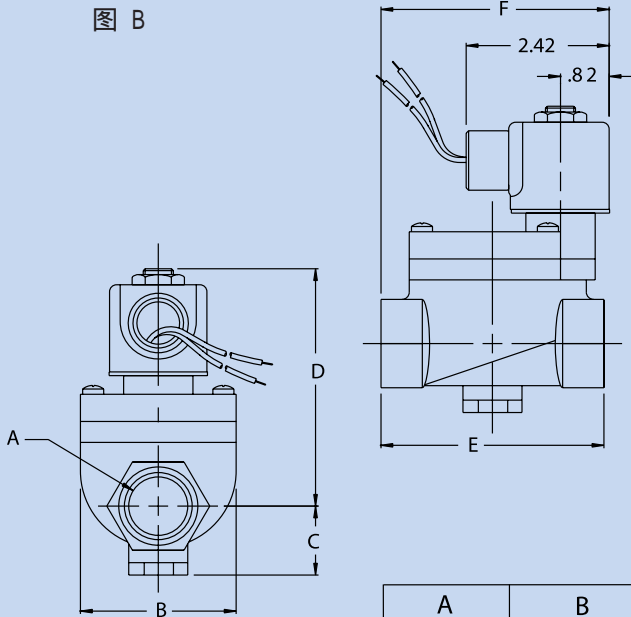
## 主要特性

- 黄铜或者316不锈钢阀体
- NPT螺纹连接
- 常闭或常开型设计
- Buna, EPDM, FKM, Teflon, 等材质的密封件

## 选项 (请参阅第4页)

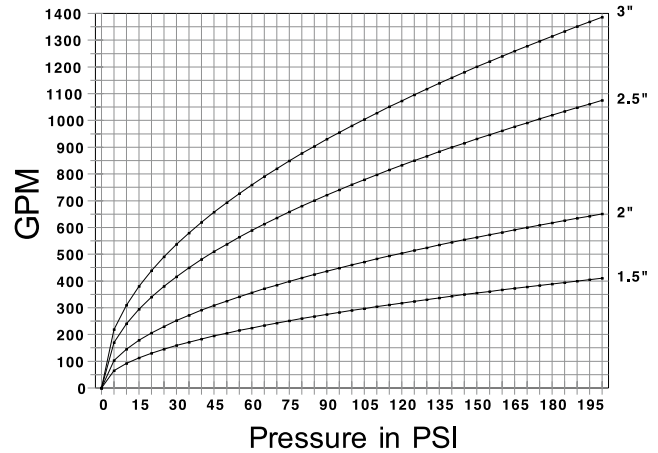
- 防爆
- 阀体多选项
- 线圈多选项
- 固态计时器

图 B



## Water Flow in GPM

1.5 NPT, 2 NPT, 2.5 NPT and 3 NPT



A	B	C	D	E	F
1/2"	1.75 (44.4)	.67 (17.2)	3.97 (100.1)	2.56 (65.0)	2.80 (71.1)
3/4"	2.05 (52.1)	1.02 (25.9)	3.91 (99.3)	2.80 (71.1)	2.88 (73.2)
1"	2.64 (67.1)	1.18 (30.0)	4.06 (103.1)	3.78 (96.0)	3.87 (98.3)
1-1/2"	3.19 (81.0)	1.42 (36.1)	4.50 (114.3)	4.49 (114.0)	4.58 (116.3)
2"	3.82 (97.0)	1.73 (43.9)	4.73 (120.1)	5.04 (128.0)	5.13 (130.3)
2-1/2-3"	6.42 (163.1)	3.50 (88.9)	8.24 (209.3)	8.82 (224.0)	8.91 (226.3)

阀门类型	阀门型号	图位	孔口尺寸	管的规格	最大操作压力 AC	DC	最小操作 Pressure	CV系数
NO - Internal Pilot	818E14DCV	B	1.5	1-1/2 NPT	200	200	3 PSI	29
NC - Internal Pilot	828E14DCV	B	1.5	1-1/2 NPT	200	200	3 PSI	29
NO - Internal Pilot	818F16DCV	B	2	2 NPT	200	200	3 PSI	46
NC - Internal Pilot	828F16DCV	B	3	2-1/2 NPT	200	200	3 PSI	76
NC - Internal Pilot	828W17DCV	B	3	2-1/2 NPT	200	200	3 PSI	76
NO - Internal Pilot	818W18DCV	B	3	3 NPT	200	200	3 PSI	98
NC - Internal Pilot	828W18DCV	B	3	3 NPT	200	200	3 PSI	98
NC - Internal Pilot - Explosion Proof	E828D13DCCM	B	1	1 NPT	200	200	3 PSI	13
NC - Internal Pilot - Explosion Proof	E828E14DCCM	B	1.5	1-1/2 NPT	200	200	3 PSI	29
NC - Internal Pilot - Explosion Proof	E828F16DCCM	B	2	2 NPT	200	200	3 PSI	46
NC - Internal Pilot - Explosion Proof	E828W17DCCM	B	3	2-1/2 NPT	200	200	3 PSI	76
NC - Internal Pilot - Explosion Proof	E828W18DCCM	B	3	3 NPT	200	200	3 PSI	98

Models 818 and 828 是隔膜阀和活塞阀。

## Series 80 技术参数

### 操作条件

介质	空气, 水和其他液体与使用标准BUNA(丁腈橡胶)密封件。热水, 蒸汽, 汽油, 和其他油脂, 需要特殊的密封材料。征询代表或工厂。
阀门温度	Standard Valves: 0°F (-18°C) to 104°F (40°C) ambient; 0°F (-18°C) to 150°F (65°C) 根据介质特殊要求, 可以选择更高或者更低环境温度, 征询代表或工厂。
最大承受压力	5000 PSI
泄漏	气密性强的标准阀

### 电气特性

线圈电压	5 to 825 VAC 50-60 Hz. - 1.8 to 265V DC
额定功率	9.5 DC, 7.7 watts AC
线圈结构	Class A, Class F, Class H
典型对空气的响应时间	8-50 毫秒

### 机械特性

阀体	垫圈和1/2"NPT连接管 - 许多可供选择
危险区域	Class I; Group C and D - Class II; Group E, F, & G

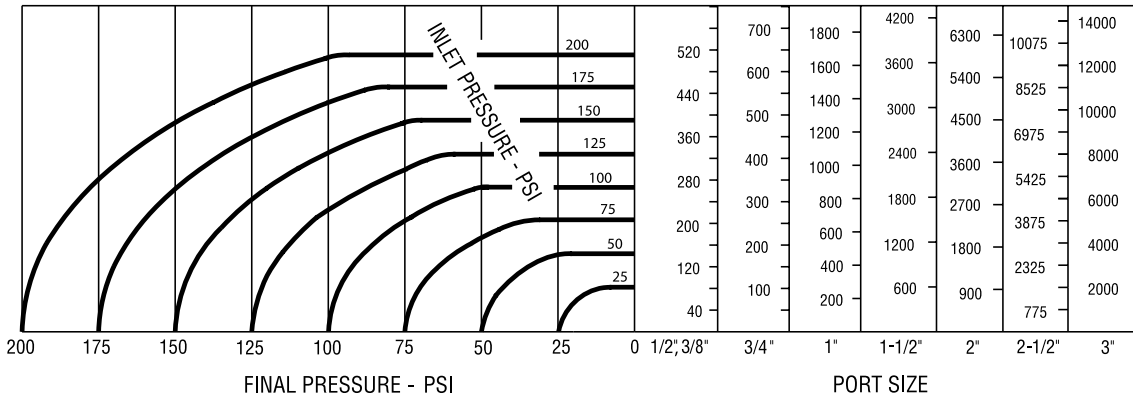
### 选项

阀体	<ul style="list-style-type: none"> <li>消除应力连接器</li> <li>双自动</li> <li>线盒外壳</li> </ul>	<ul style="list-style-type: none"> <li>单自动</li> <li>"AN"连接器</li> <li>轭铁</li> </ul>
线圈	<ul style="list-style-type: none"> <li>模压线圈</li> <li>螺旋式线圈、阀体</li> <li>高温型模压线圈</li> </ul>	<ul style="list-style-type: none"> <li>3线接地</li> <li>铁端模压线圈</li> </ul>

### 固态计时器 (见下图)

电气特性	
电压	120 AC to 240 AC
额定功率	9.5瓦
电线	6ft/w 三线插头
计时器	
可调范围	关闭时间1至45 分钟 开启时间0.25秒至 25 秒
手动按钮控制	
状态灯显示电源和操作。	
定时器和线圈可旋转360°	

AIR FLOW RATE IN CFM AT 70 DEG. F



固体定时器

### 阀门 订货编码规则

第1组字码	第2组字码	第3组字码	第4组字码	第5组字码	第6组字码	第7组字码	第8组字码	第9组字码
系列号	型号	孔径	接口规格 BR SS	阀体端口和功能选项	阀体选项	线圈选项	电压	频率
8 Series 80	18 Internal Pilot 2WNO	T 3/8"	3/8" NPT 20	D 无选项 Y 手动控制	C 管道式 G 绝缘垫圈 CC 管道式 第三线 地线 EM 欧式线圈	V 非模压线圈 M 模压线圈 H 高温型180°C P 螺旋式线圈 阀体	详尽描 述要求 120v, 240v	详尽描 述要求 50 Hz, 60Hz or DC
		B 1/2"	1/2" NPT 12					
	27 Direct Lift 2WNC	C 3/8"	3/4" NPT 19 29					
		Y 3/4"	1" NPT 13 23					
	28 Internal Pilot 2WNC	D 1"	1-1/2" NPT 14 24					
		E 1-1/2"	2" NPT 16 26					
		F 2"	2-1/2" NPT 17 27					
		W 3"	3" NPT 18 28					

#### EXAMPLE

8	28	D	13	D	C	M	120	60
Series 80 Valve	Internal Pilot	1" Orifice	1" NPT Brass	No option	Conduit Housing	Molded Coil	120 Volt	AC 60 Hz

注: 在阀的订货编码前标志"E"的标记表示是防爆型。

### WARRANTY

Peter Paul Electronics Co., Inc. (seller) warrants its products to be free from defects in workmanship and material. Under normal use and service, Peter Paul products will perform very satisfactorily. The seller's obligation under this warranty shall be limited to the repairing, free of charge, any part or valve which, after his examination, shows it to be defective. Of course, normal wear and tear must be considered and exempted. No representative or person is authorized to assume for the seller any other obligation or liability in connection with the sale of its sale of its products.

All engineering and technical advice are offered free of charge, in a spirit of helpfulness to the buyer. This assistance is based on data which Peter Paul considers reliable and is intended to be used by knowledgeable and skillful personnel at their own risk.

The seller shall not be liable for consequential damages in case of failure to meet conditions of any guarantee or shipping schedule, nor claims for labor, loss of profits, repairs or other expenses incidental to replacement.



**PETER  
PAUL**

electronics co., inc.

P.O. Box 1180, 480 John Downey Drive  
New Britain, CT 06050-1180

Tel 0755-86575299 Fax 0755-82552964

www.peterpaul.cn

denison@diateng.com